



**phoenix-E**  
A California Corporation



# **SONO-CON™ ACOUSTICAL DOORS AND WINDOWS**

**STEEL - STAINLESS STEEL - WOOD**

**MANUFACTURERS OF  
SONO-CON NOISE CONTROL ENCLOSURES,  
ABSORPTIVE PANELS, SOUNDWALLS,  
AND SILENCER SYSTEMS**

[www.phoenix-e.com](http://www.phoenix-e.com)

# **SONO-CON™**

**SOUND RATED DOOR AND  
FRAME  
ASSEMBLIES**

**STC 46 TO STC 53**

**UL 1-1/2 HOUR  
FIRE RATINGS**

**14 GAGE STEEL FRAMES  
16 GAGE STEEL DOORS**

**PRIME PAINTED  
STEEL  
STAINLESS STEEL  
WOOD CONSTRUCTIONS**

**ARCHITECTURAL  
INDUSTRIAL  
CUSTOM  
APPLICATIONS**



**SINGLE AND  
DOUBLE LEAF DOORS**

**SPECIAL FINISHES  
AVAILABLE**

**CAM-LIFT HINGES**

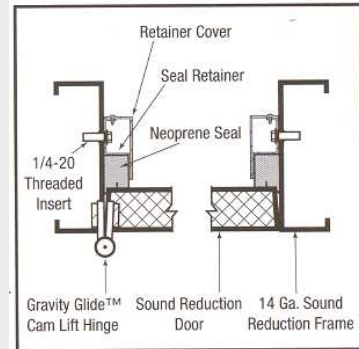
**DOOR HARDWARE  
PACKAGES**

**phoenix-E**

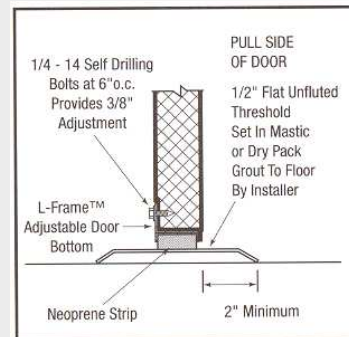
# SONO-CON ACOUSTICAL DOOR DETAILS



**DOOR JAMB SEALS**

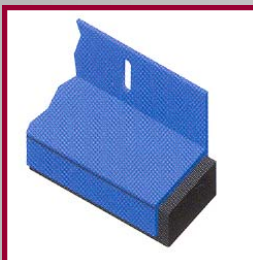
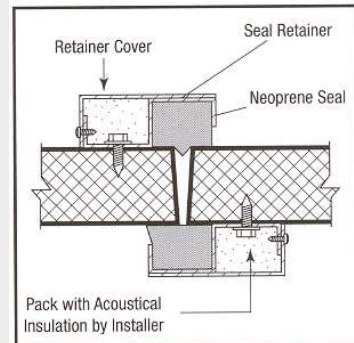


**DOOR BOTTOM SEALS**



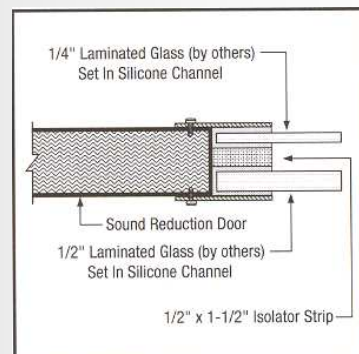
**CAM-LIFT HINGES FOR A POSITIVE THRESHOLD ACOUSTICAL SEAL**

**DOUBLE DOOR ASTRAGAL**



**ONCE ADJUSTED, DOOR BOTTOM SEALS REQUIRE LITTLE MAINTENANCE**

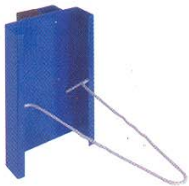
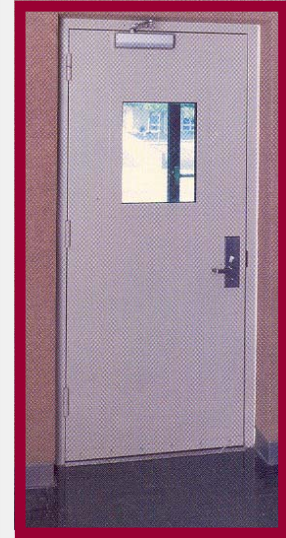
**DOOR GLAZING**



# SONO-CON™ RATED ACOUSTICAL DOOR AND WINDOW ASSEMBLIES

## DOORS

STC	LBS/FT <sup>2</sup>	SEAL	FIRE RATING	GLASS	NOTES
53	15.8	Compress.	90 min.	None	1-3/4" HM
52	14.6	Compress.	90 min.	None	1-3/4" HM
50	13.6	Compress.	N/A	None	1-3/4" WD
49	15.8	Compress.	90 min.	None	1-3/4" HM
49	13.4	Magnetic	90 min.	None	1-3/4" HM
48	12.7	Compress.	90 min.	None	1-3/4" HM
48	15.8	Magnetic	90 min.	None	1-3/4" HM
48	14.4	Compress.	90 min.	100 sq in.	1-3/4" HM
47	15.8	Compress.	90 min.	None	1-3/4" HM
46	14.6	Compress.	90 min.	None	1-3/4" HM



Masonry Anchor



Metal Stud Anchor



Bolt-In Anchor



Wood Stud Anchor

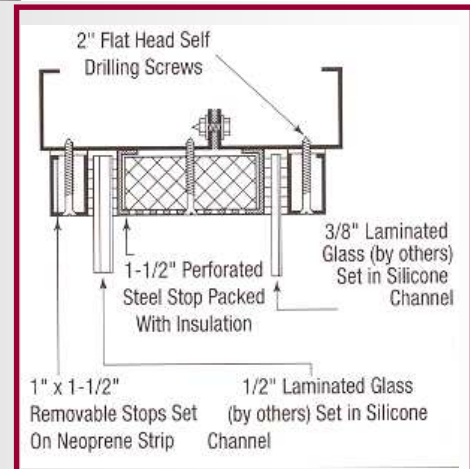


Floor Anchor


## WINDOWS

STC	LBS/FT <sup>2</sup>	GLASS AREA	GLASS TYPE
57	28.3	21 sq ft	3/8" lam 1/2" lam
50	16.2	16.5 sq ft	1/4" lam 1/2" lam
40	16.2	16.5 sq ft	1/2" lam
36	16.2	16.5 sq ft	1/4" lam

Note: Silicone gasketing.



## GLAZING DETAIL



**phoenix-E**

339 MOBIL AVE.  
CAMARILLO, CA 93010  
TEL: (805) 484-0794 • FAX: (805) 987-2495

CAMARILLO • LOS ANGELES • LIVERMORE  
SAN FRANCISCO • SEATTLE • TAIPEI

**1-800-241-4207**

www.phoenix-e.com